

NORMBAU

PASSION FOR CARE

Inox Care Lift-up support rail 2050070 vario, suspendable, L = 900mm, with base plate

Lift up support rail vario with base plate, length 900mm, 32mm dia., made of stainless steel, material No. 1.4301 (A2 AISI 304), brushed finish, left or right hand application, space required in vertical position 193mm from wall, with adjustable brake, easy installation by mounting to a base plate.

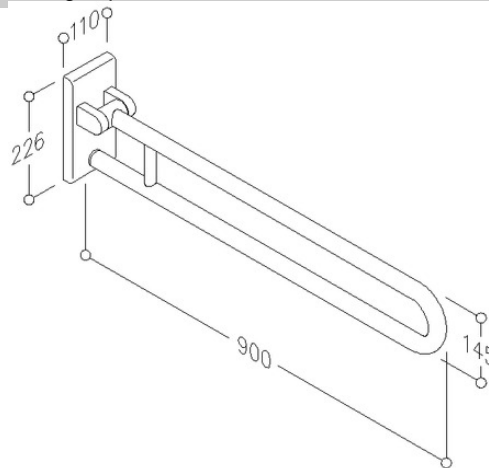
Base plate, made of stainless steel for balanced wall mounting, concealed screw fixing, supplied without fixing screws and plugs, conform to German standard DIN 18040 1-2, maximum loading permitted: 125 kgs.

850mm length conform to German standard DIN 18040-1/2, Austrian standard ÖNORM B1600.

TÜV PRODUKT SERVICE certified.

Select appropriate fixing material to suit site conditions. Can be fitted with paper roll holder 2050 300 may be added at a later stage.

Product code	2050070
Product group	5500



NORMBAU GmbH
 Schwarzwaldstraße 15
 77871 Renchen/Germany
 Telefon +49(0)7843 / 704 - 0
 Telefax +49(0)7843 / 704 - 43
 www.normbau.de | normbau@allegion.com

